

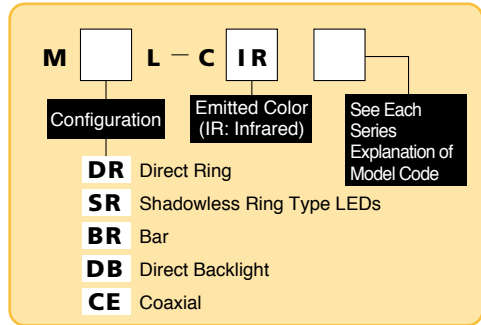


IR Illuminations **IR** Series



*This shows an image of the lighting condition.

Explanation of Model Code



- Provides image recognition at high contrast especially for items that are difficult in visible light. The lighting is also effective for materials that chemically react to visible light rays.

Highly effective when used with an infrared camera.

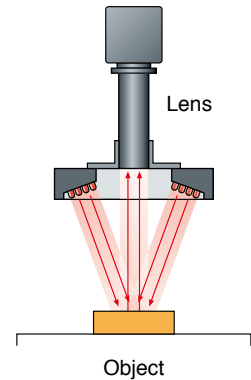
Approximately 1.7 times higher reflecting rate for 500nm and 850 nm gold (Au).

The peak wavelength is 850nm.

Illumination Structure

MDRL-CIR31

CCD Camera



Model	Emitted Color	Maximum Related Current IFM (A)	Internal Diameter (mm)	External Diameter (mm)	Weight (g)	Product Code
MDRL-CIR31	Infrared	0.42	φ 31	φ 66	130	A-2165
MSRL-CIR20	Infrared	0.36	φ 20	φ 74	140	A-2163
MBRL-CIR7530	Infrared	0.40	75x30 (Illumination area dimensions)		120	A-2164
MDBL-CIR70	Infrared	0.53	70x70 (Illumination area dimensions)		190	A-2166
MCEL-CIR8-2	Infrared	0.06	φ 8 External diameter of head		35	A-2318

Sample Images

1. Substrate Pattern Recognition

(For IR, only the pattern is recognized clearly)

image with an IR backlight LED
(MDBL-CW70)

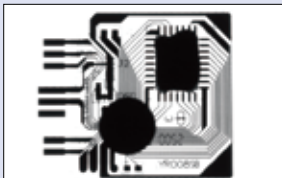
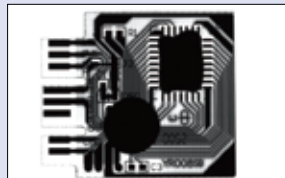


image with a white backlight LED
(MDBL-CW70)



2. Cheese Package Recognition

(For IR, specific patterns can be made invisible)

image with an IR direct ring LED
(MDRL-CIR31)



image with a white, direct LED
(MDRL-CW31)



Models not described on this page can be manufactured by orders.

Products that can be made-to-order.

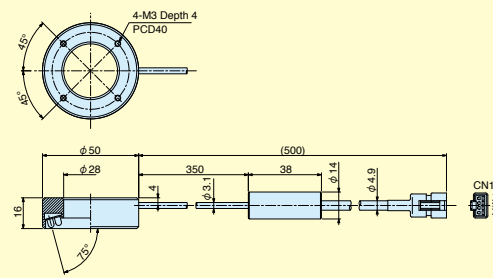
All line-ups of MDRL/MDRL-NS/MLRL/MSRL/MSSL/MSQL/MBRL/
 MDQL/MDML/MDBL/MEBL/MLNL Series.

*All Line-Ups of Bullet Type LEDs Can Be Manufactured.

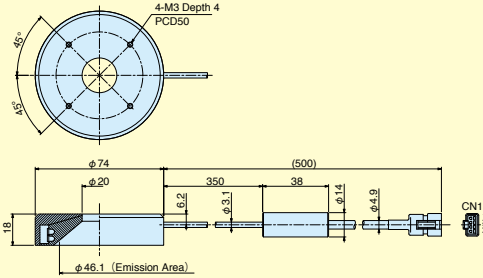
**Please contact us
 for demonstration
 models.**



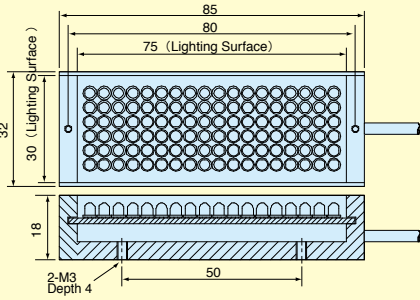
MDRL-CIR31



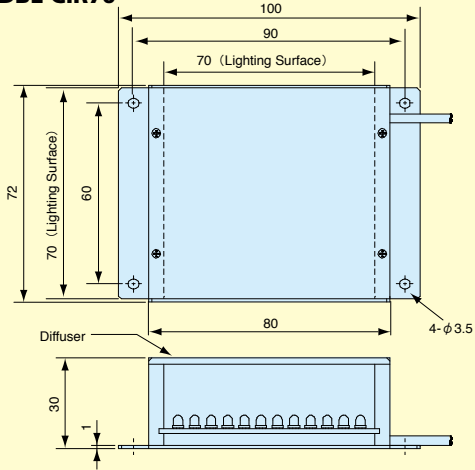
MSRL-CIR20



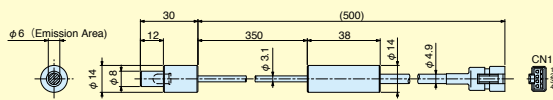
MBRL-CIR7530



MDBL-CIR70

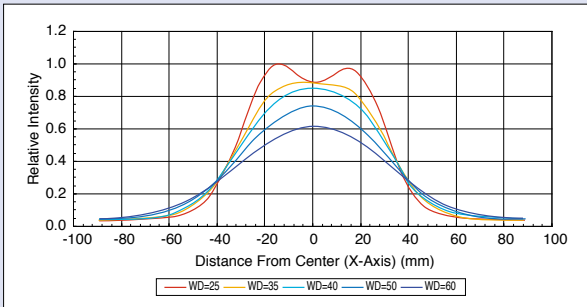


MCEL-CIR8-2

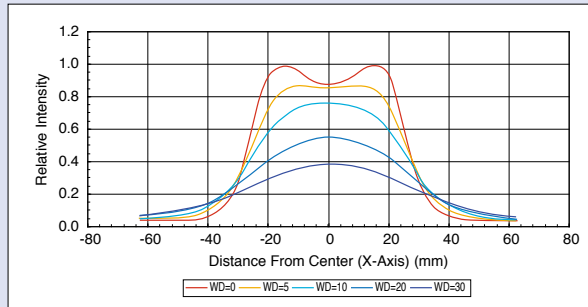


Light Distribution Characteristic

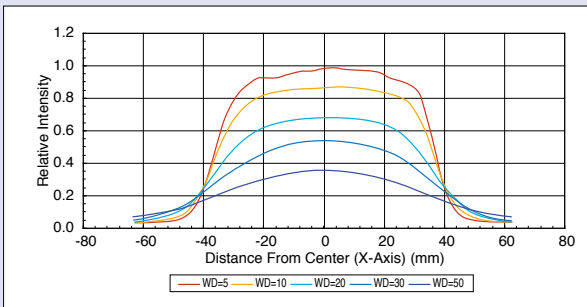
MDRL-CIR31



MSRL-CIR20



MBRL-CIR7530



MDBL-CIR70

